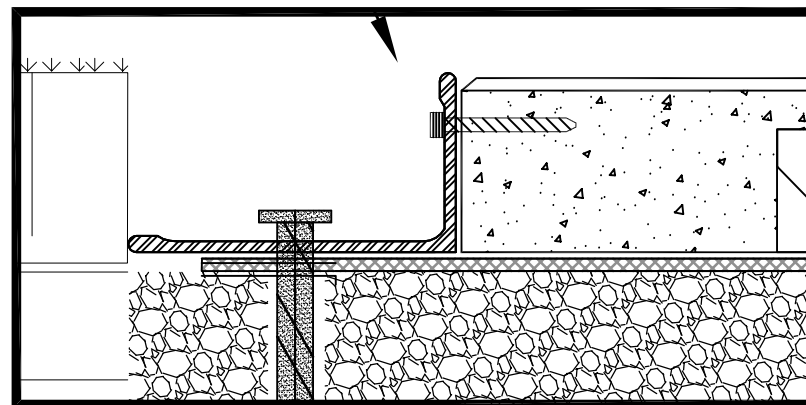
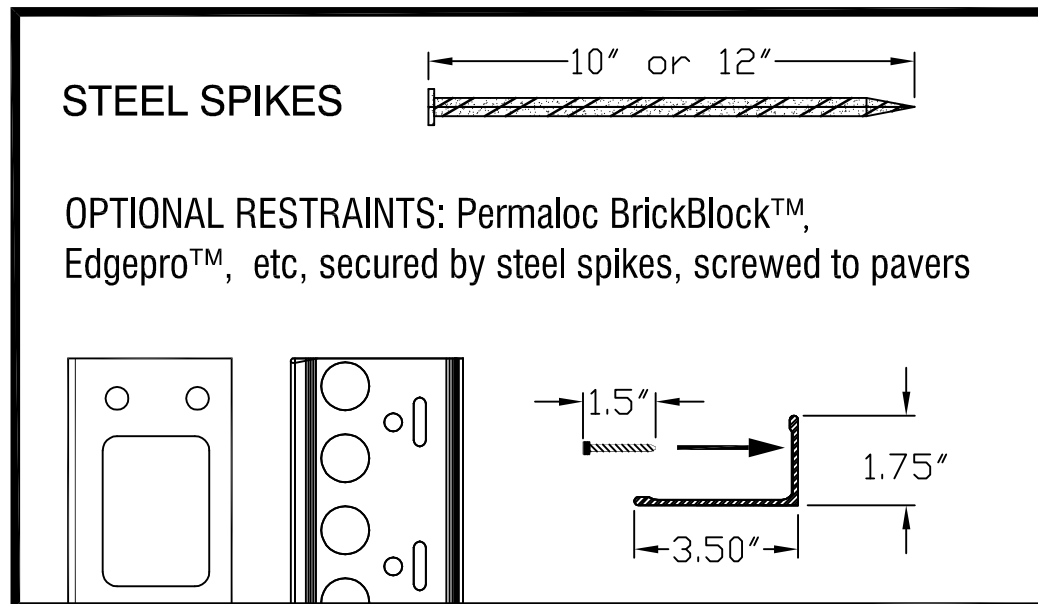


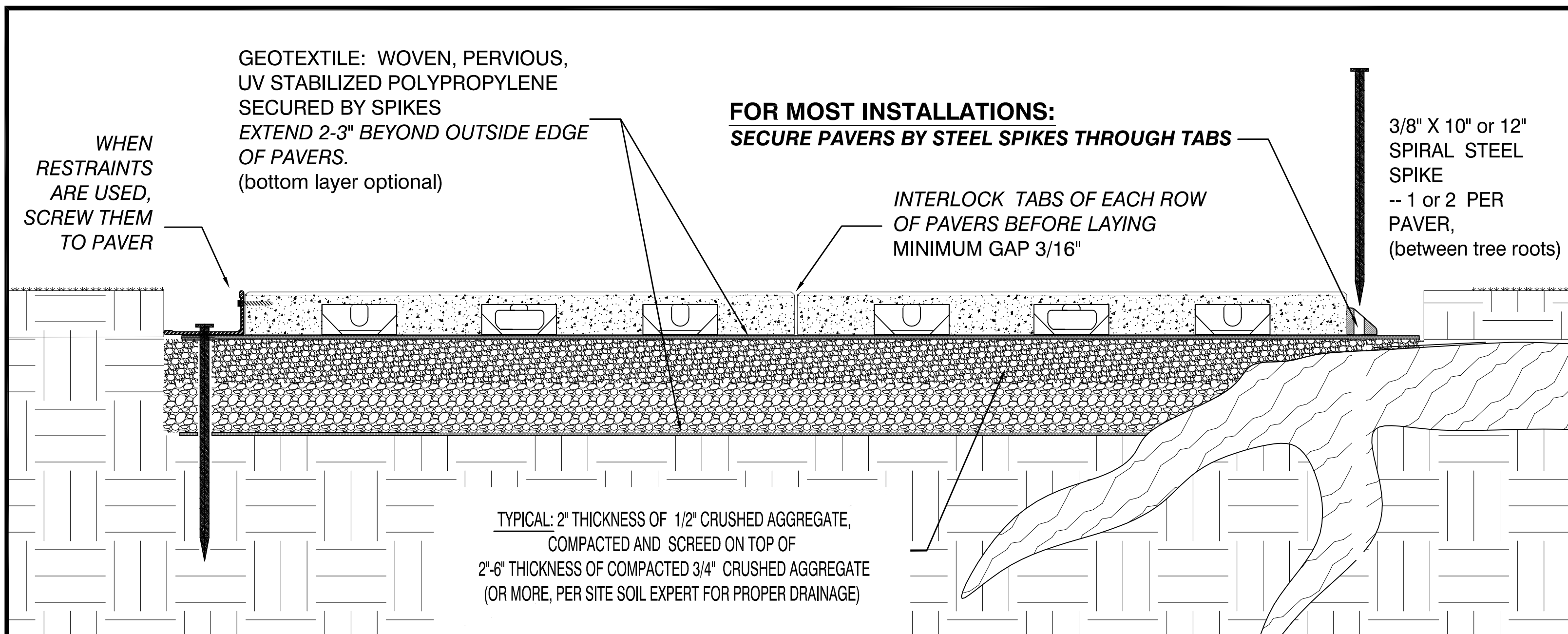
Detail A:
Normal Installation: spikes through tabs Scale: 6" = 1'-0"



Detail B:
Installation with restraint Scale: 6" = 1'-0"



Detail C:
Spikes and Restraints
Scale: 3" = 1'-0"



TERREWALKS®

Typical Installation: Scale: 3" = 1'-0"
Shown: 4' sidewalk over tree roots. For 5' sidewalk, rotate pavers 90°. Pavers are 24 x 30 x 1.75"
Pavers and restraints may be trimmed to accomodate tree roots